

Model : Finisher-E1

Ref. No. : FF-T01-W-000092-01

Date : November 12, 1999

© Canon (UK) Limited

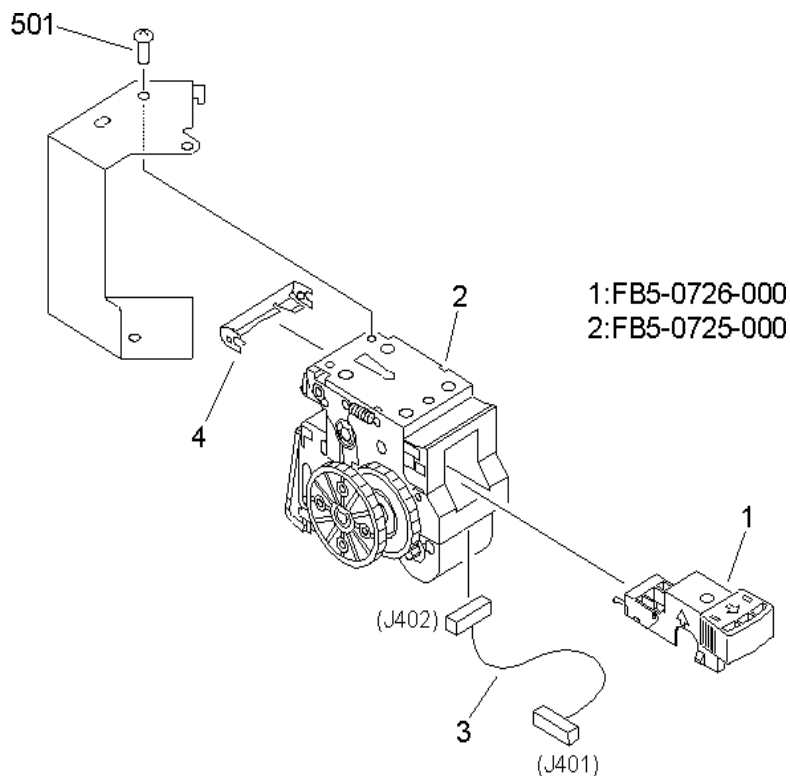
Location : STAPLER

Subject : UPDATING THE SERVICE PARTS

Reason : The composition of the stapler unit offered as a service part has been changed in consideration of the mode of transportation used.

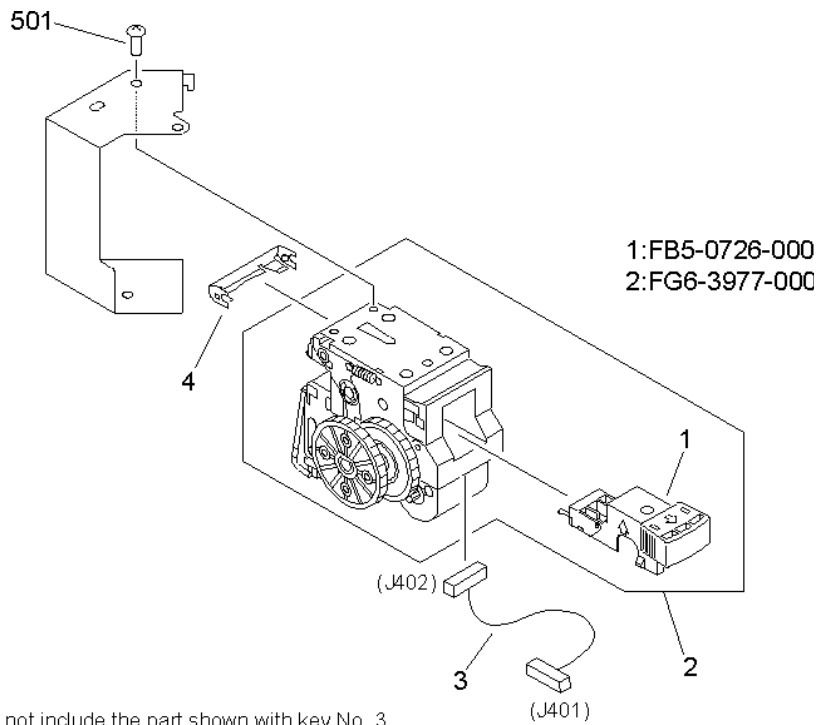
Details : The stapler unit (FB5-0725-000) set up as a service part at present does not include the staple cartridge (FB5-0726-000), and a change has been made so that the unit will contain a staple cartridge; the newly configured unit will be identified as FG6-3977-000. The change was initiated to eliminate possible problems in the internal parts caused by vibration occurring during transportation.

< Parts Configuration in the Past >



NOTE : This assembly does not include the part shown with key No. 3.

< Parts Configuration in the Future >



NOTE : This assembly does not include the part shown with key No. 3.

注：このユニットにKey No. 3の部品は含まれません。

Service Parts :

No.	Description		Part number	Q'ty	Stock	Inter-change-ability	PC.
							Stock date
1	Old	STAPLE UNIT	FB5-0725-000	1→0	C	↓ No	Q40
	New	STAPLE UNIT	FG6-3977-000	0→1	D	↑ Yes	